

Upper Level Floor Framing / Roof Framing Plan:

SCALE: 1/4"=1'-0"

ROOF FRAMING NOTES:

- SECTION:**
 1. ALL ROOF FRAMING SHALL BE 2x12 UNLESS OTHERWISE NOTED.
 2. ALL ROOF FRAMING SHALL BE 2x12 UNLESS OTHERWISE NOTED.
 3. ALL ROOF FRAMING SHALL BE 2x12 UNLESS OTHERWISE NOTED.
- CONSTRUCTION NOTES:**
 1. ALL JOIST SHALL BE 2x12 UNLESS OTHERWISE NOTED.
 2. ALL JOIST SHALL BE 2x12 UNLESS OTHERWISE NOTED.
 3. ALL JOIST SHALL BE 2x12 UNLESS OTHERWISE NOTED.
- GENERAL NOTES:**
 1. ALL JOIST SHALL BE 2x12 UNLESS OTHERWISE NOTED.
 2. ALL JOIST SHALL BE 2x12 UNLESS OTHERWISE NOTED.
 3. ALL JOIST SHALL BE 2x12 UNLESS OTHERWISE NOTED.
- WALL NOTES:**
 1. ALL WALLS SHALL BE 8" CMU UNLESS OTHERWISE NOTED.
 2. ALL WALLS SHALL BE 8" CMU UNLESS OTHERWISE NOTED.
 3. ALL WALLS SHALL BE 8" CMU UNLESS OTHERWISE NOTED.
- SECTION:**
 1. ALL ROOF FRAMING SHALL BE 2x12 UNLESS OTHERWISE NOTED.
 2. ALL ROOF FRAMING SHALL BE 2x12 UNLESS OTHERWISE NOTED.
 3. ALL ROOF FRAMING SHALL BE 2x12 UNLESS OTHERWISE NOTED.
- CONSTRUCTION NOTES:**
 1. ALL JOIST SHALL BE 2x12 UNLESS OTHERWISE NOTED.
 2. ALL JOIST SHALL BE 2x12 UNLESS OTHERWISE NOTED.
 3. ALL JOIST SHALL BE 2x12 UNLESS OTHERWISE NOTED.
- GENERAL NOTES:**
 1. ALL JOIST SHALL BE 2x12 UNLESS OTHERWISE NOTED.
 2. ALL JOIST SHALL BE 2x12 UNLESS OTHERWISE NOTED.
 3. ALL JOIST SHALL BE 2x12 UNLESS OTHERWISE NOTED.

UPPER FLOOR FRAMING NOTES:

- SECTION:**
 1. ALL FLOOR FRAMING SHALL BE 2x12 UNLESS OTHERWISE NOTED.
 2. ALL FLOOR FRAMING SHALL BE 2x12 UNLESS OTHERWISE NOTED.
 3. ALL FLOOR FRAMING SHALL BE 2x12 UNLESS OTHERWISE NOTED.
- CONSTRUCTION NOTES:**
 1. ALL JOIST SHALL BE 2x12 UNLESS OTHERWISE NOTED.
 2. ALL JOIST SHALL BE 2x12 UNLESS OTHERWISE NOTED.
 3. ALL JOIST SHALL BE 2x12 UNLESS OTHERWISE NOTED.
- GENERAL NOTES:**
 1. ALL JOIST SHALL BE 2x12 UNLESS OTHERWISE NOTED.
 2. ALL JOIST SHALL BE 2x12 UNLESS OTHERWISE NOTED.
 3. ALL JOIST SHALL BE 2x12 UNLESS OTHERWISE NOTED.
- SECTION:**
 1. ALL FLOOR FRAMING SHALL BE 2x12 UNLESS OTHERWISE NOTED.
 2. ALL FLOOR FRAMING SHALL BE 2x12 UNLESS OTHERWISE NOTED.
 3. ALL FLOOR FRAMING SHALL BE 2x12 UNLESS OTHERWISE NOTED.
- CONSTRUCTION NOTES:**
 1. ALL JOIST SHALL BE 2x12 UNLESS OTHERWISE NOTED.
 2. ALL JOIST SHALL BE 2x12 UNLESS OTHERWISE NOTED.
 3. ALL JOIST SHALL BE 2x12 UNLESS OTHERWISE NOTED.
- GENERAL NOTES:**
 1. ALL JOIST SHALL BE 2x12 UNLESS OTHERWISE NOTED.
 2. ALL JOIST SHALL BE 2x12 UNLESS OTHERWISE NOTED.
 3. ALL JOIST SHALL BE 2x12 UNLESS OTHERWISE NOTED.

WALL FRAMING NOTES:

- SECTION:**
 1. ALL WALL FRAMING SHALL BE 8" CMU UNLESS OTHERWISE NOTED.
 2. ALL WALL FRAMING SHALL BE 8" CMU UNLESS OTHERWISE NOTED.
 3. ALL WALL FRAMING SHALL BE 8" CMU UNLESS OTHERWISE NOTED.
- CONSTRUCTION NOTES:**
 1. ALL WALL FRAMING SHALL BE 8" CMU UNLESS OTHERWISE NOTED.
 2. ALL WALL FRAMING SHALL BE 8" CMU UNLESS OTHERWISE NOTED.
 3. ALL WALL FRAMING SHALL BE 8" CMU UNLESS OTHERWISE NOTED.
- GENERAL NOTES:**
 1. ALL WALL FRAMING SHALL BE 8" CMU UNLESS OTHERWISE NOTED.
 2. ALL WALL FRAMING SHALL BE 8" CMU UNLESS OTHERWISE NOTED.
 3. ALL WALL FRAMING SHALL BE 8" CMU UNLESS OTHERWISE NOTED.
- SECTION:**
 1. ALL WALL FRAMING SHALL BE 8" CMU UNLESS OTHERWISE NOTED.
 2. ALL WALL FRAMING SHALL BE 8" CMU UNLESS OTHERWISE NOTED.
 3. ALL WALL FRAMING SHALL BE 8" CMU UNLESS OTHERWISE NOTED.
- CONSTRUCTION NOTES:**
 1. ALL WALL FRAMING SHALL BE 8" CMU UNLESS OTHERWISE NOTED.
 2. ALL WALL FRAMING SHALL BE 8" CMU UNLESS OTHERWISE NOTED.
 3. ALL WALL FRAMING SHALL BE 8" CMU UNLESS OTHERWISE NOTED.
- GENERAL NOTES:**
 1. ALL WALL FRAMING SHALL BE 8" CMU UNLESS OTHERWISE NOTED.
 2. ALL WALL FRAMING SHALL BE 8" CMU UNLESS OTHERWISE NOTED.
 3. ALL WALL FRAMING SHALL BE 8" CMU UNLESS OTHERWISE NOTED.

CONCRETE LINTEL SCHEDULE:

INDICATED LOCATION OF CONCRETE LINTEL AND REINFORCEMENT FOR THE GENERAL STRUCTURE.

CONCRETE LINTEL	DEPTH	WIDTH	REINFORCEMENT	STAIRS / DISTANCE
1	12"	12"	(2) #4 BARS TOP & BOT	N/A
2	12"	12"	(2) #4 BARS TOP & BOT	N/A
3	12"	12"	(2) #4 BARS TOP & BOT	N/A
4	12"	12"	(2) #4 BARS TOP & BOT	N/A
5	12"	12"	(2) #4 BARS TOP & BOT	N/A
6	12"	12"	(2) #4 BARS TOP & BOT	N/A
7	12"	12"	(2) #4 BARS TOP & BOT	N/A
8	12"	12"	(2) #4 BARS TOP & BOT	N/A



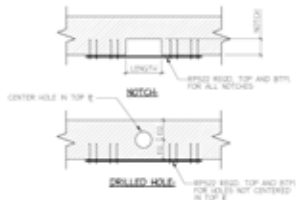
Painted River Trail Residence
 2595 Painted River Trail
 Washoe County
 Reno, Nevada 89523

1550 Swan Circle
 Reno, NV 89507
 C: 775.250.4133
 E: jason@cochranengineering.com

Revisions:

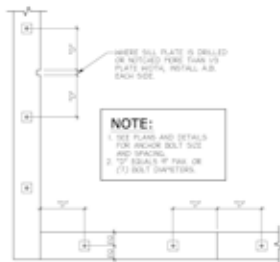
Upper Floor / Roof Framing
 Drawn: TMC
 Date: 03/10/10
 Checked: TMC
 Job: 003_10

Sheet
S-3

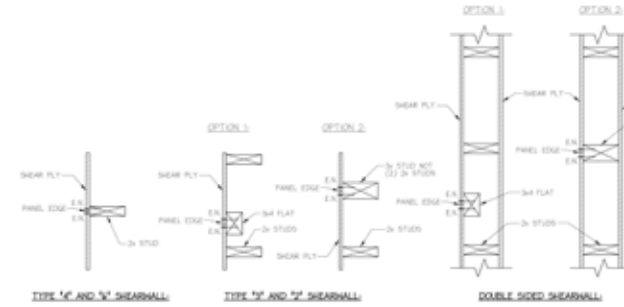


WALL TYPE	TRAPDOOR NOTCH	TRAPDOOR DIA. HOLE SIZE
2M BEARING	1'-0" x 5'-0"	1'-0" DIA. AT E
2M NON-BEARING	2'-0" x 5'-0"	2'-0" DIA. AT E
2M BEARING	2'-0" x 5'-0"	2'-0" DIA. AT E
2M NON-BEARING	3'-0" x 5'-0"	3'-0" DIA. AT E

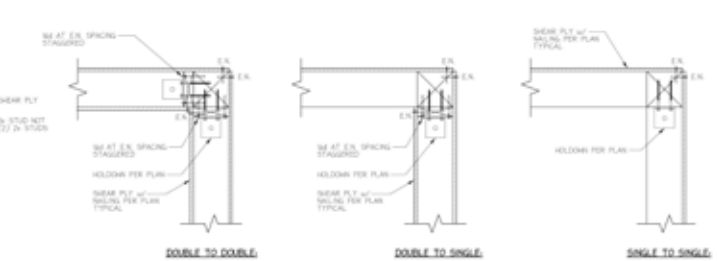
15 Notch in Top Plate
SCALE: 1/2" = 1'-0"



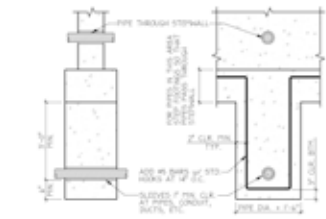
14 Sill Plate Detail
SCALE: 1/2" = 1'-0"



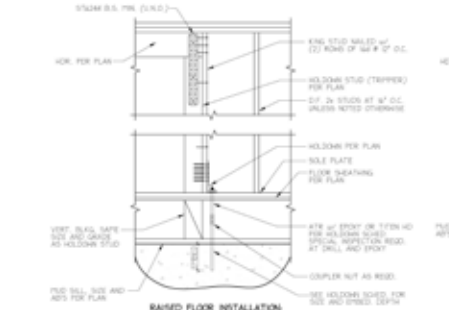
13 Shearwall Edge Member
SCALE: 1/2" = 1'-0"



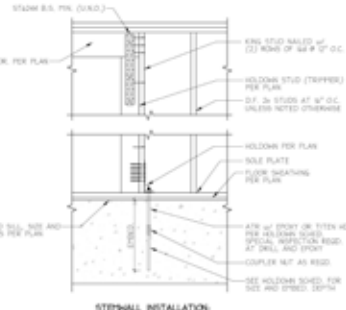
12 Holddown in Corner Detail
SCALE: 1/2" = 1'-0"



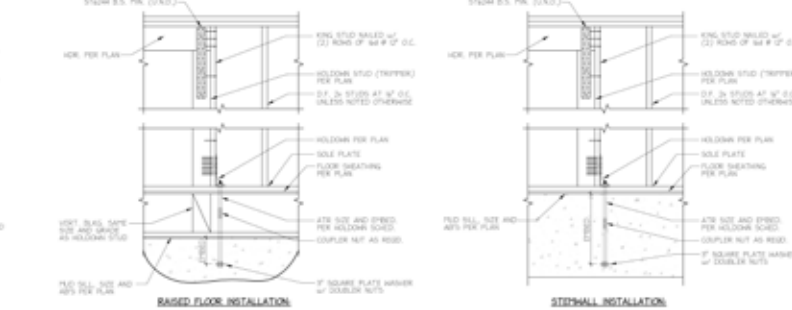
11 Pipe Through Stemwall
SCALE: 1/2" = 1'-0"



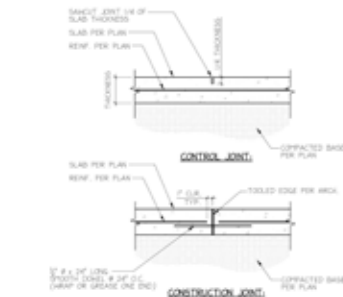
10 Retro-Fit Holddown Detail
SCALE: 1/2" = 1'-0"



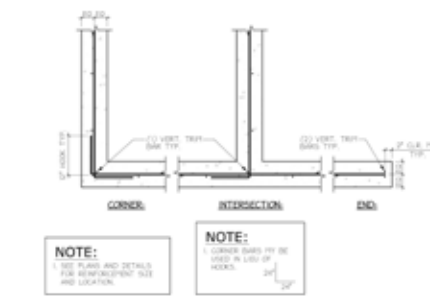
9 Holddown Detail
SCALE: 1/2" = 1'-0"



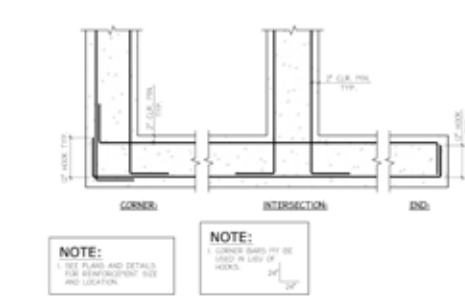
8 New/Existing Foundation Connection
SCALE: 1/2" = 1'-0"



7 Slab Joint Detail
SCALE: 1/2" = 1'-0"



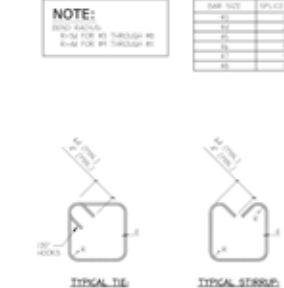
6 Stemwall Reinforcement
SCALE: 1/2" = 1'-0"



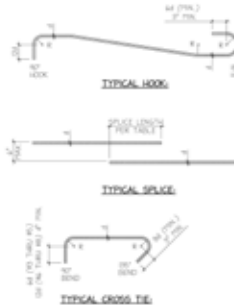
5 Footing Reinforcement
SCALE: 1/2" = 1'-0"

NOTE: BOND ANCHORS: 1. 4M FOR #3 THROUGH #6 2. 6M FOR #7 THROUGH #8 3. 8M FOR #9 THROUGH #10

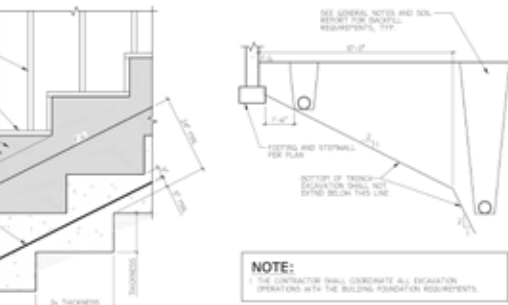
BAR SIZE	SPLICE LENGTH
#3	12"
#4	16"
#5	20"
#6	24"
#7	32"
#8	40"
#9	48"
#10	56"



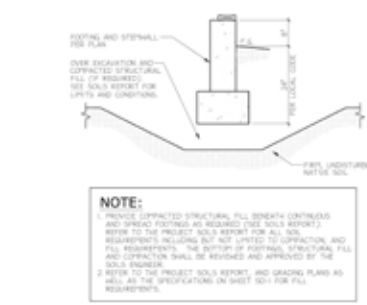
4 Typical Rebar Bends and Hooks
SCALE: 1/2" = 1'-0"



3 Stepped Footing Detail
SCALE: 1/2" = 1'-0"



2 Trench Detail
SCALE: 1/2" = 1'-0"



1 Soil Preparation Detail
SCALE: 1/2" = 1'-0"

CONCRETE ENGINEERING
1500 Swan Circle
Reno, NV 89509
C: 775.250.4133
E: jason@concreteengineering.com

Painted River Trail Residence
2595 Painted River Trail
Washoe County
Reno, Nevada 89523

Revisions:

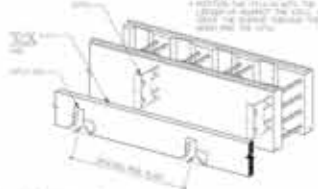
General Structural Details

Drawn: TAC
Date: 03/10/10
Checked: TAC
Job: 003_10

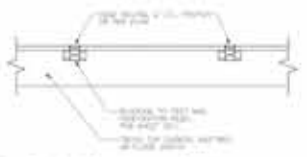
Sheet
SD-2

INSTALLATION NOTES:

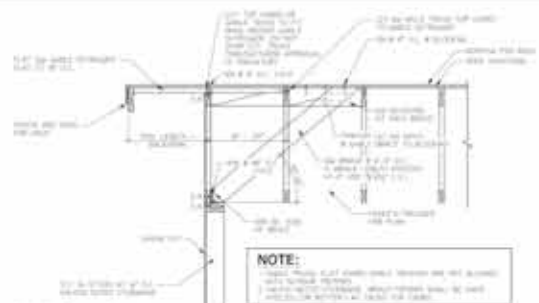
- 1. ALL STEEL SHALL BE A36 UNLESS OTHERWISE SPECIFIED.
- 2. ALL WELDS SHALL BE E70XX UNLESS OTHERWISE SPECIFIED.
- 3. ALL BOLTS SHALL BE A325 UNLESS OTHERWISE SPECIFIED.
- 4. ALL BOLTS SHALL BE PROTECTED AGAINST CORROSION.
- 5. ALL DIMENSIONS ARE IN INCHES UNLESS OTHERWISE SPECIFIED.
- 6. ALL DIMENSIONS ARE TO FACE UNLESS OTHERWISE SPECIFIED.
- 7. ALL DIMENSIONS ARE TO CENTERLINE UNLESS OTHERWISE SPECIFIED.
- 8. ALL DIMENSIONS ARE TO SURFACE UNLESS OTHERWISE SPECIFIED.
- 9. ALL DIMENSIONS ARE TO CENTERLINE UNLESS OTHERWISE SPECIFIED.
- 10. ALL DIMENSIONS ARE TO SURFACE UNLESS OTHERWISE SPECIFIED.
- 11. ALL DIMENSIONS ARE TO CENTERLINE UNLESS OTHERWISE SPECIFIED.
- 12. ALL DIMENSIONS ARE TO SURFACE UNLESS OTHERWISE SPECIFIED.



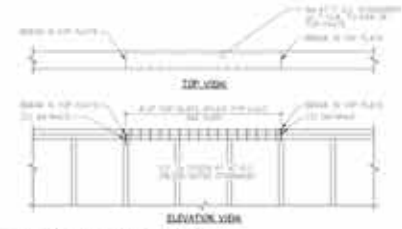
13 ICFVL Ledger Attachment
Sheet 5 of 10



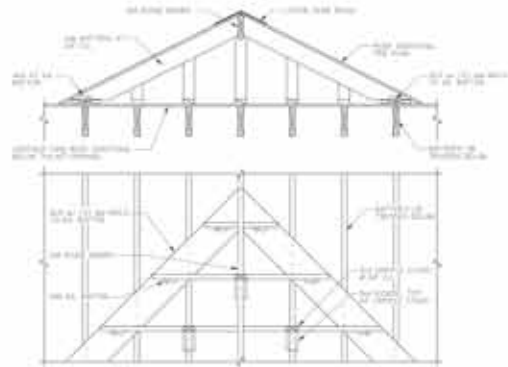
12 Blocked Diaphragm Detail
Sheet 9 of 10



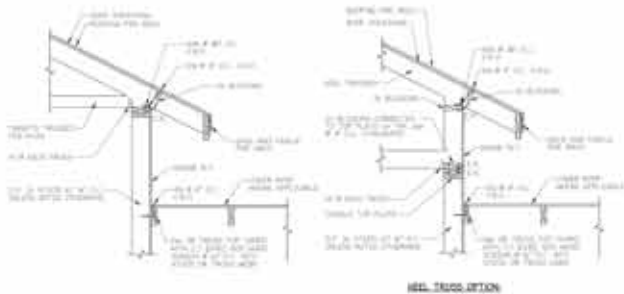
11 Gable Truss Bracing
Sheet 9 of 10



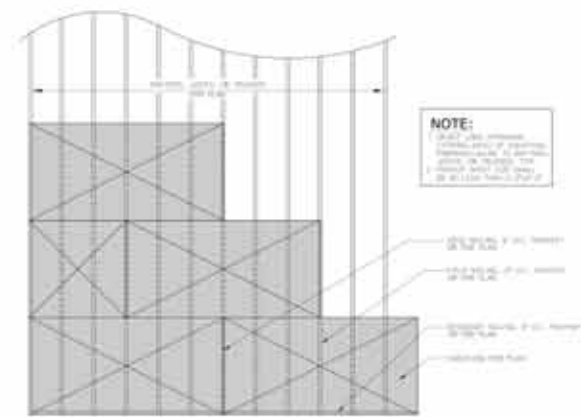
10 Top Plate Splice Detail
Sheet 5 of 10



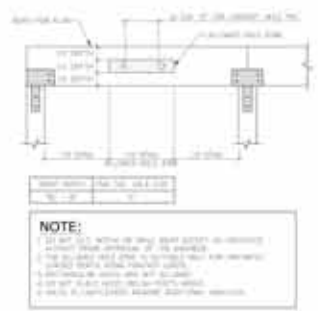
9 California Framing Detail
Sheet 8 of 10



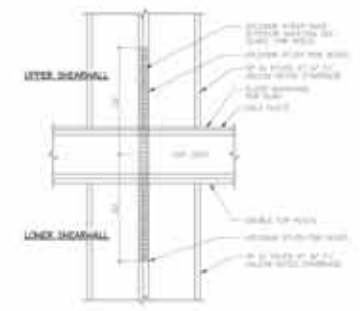
8 Typical Truss at Eave
Sheet 8 of 10



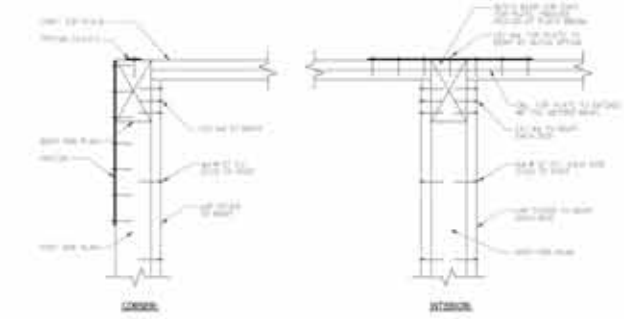
7 Horizontal Sheathing Layout Detail
Sheet 8 of 10



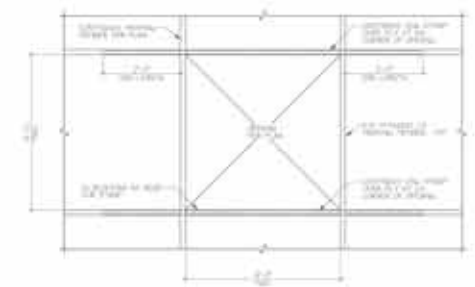
6 Hole in Beam Detail
Sheet 5 of 10



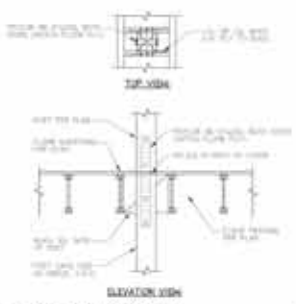
5 Floor to Floor Holdown
Sheet 5 of 10



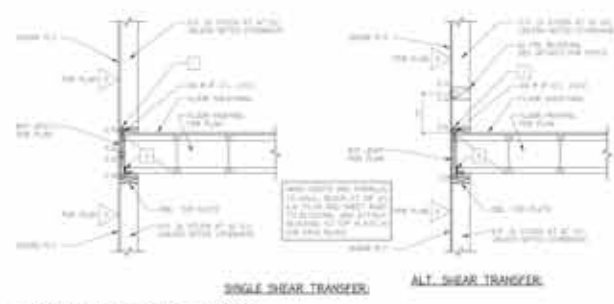
4 Beam Pocket Detail
Sheet 5 of 10



3 Hole in Diaphragm Detail
Sheet 5 of 10

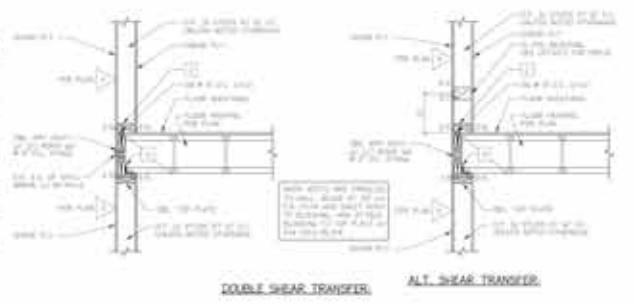


2 Post Splice At Floor
Sheet 5 of 10



1 Floor to Floor Shear Transfer
Sheet 5 of 10

MEMBER	TYPE	SIZE	SPACING	MIN. DIST.	MAX. DIST.
1	1"	12"	12"	12"	12"
2	1"	12"	12"	12"	12"
3	1"	12"	12"	12"	12"
4	1"	12"	12"	12"	12"
5	1"	12"	12"	12"	12"
6	1"	12"	12"	12"	12"
7	1"	12"	12"	12"	12"
8	1"	12"	12"	12"	12"
9	1"	12"	12"	12"	12"
10	1"	12"	12"	12"	12"



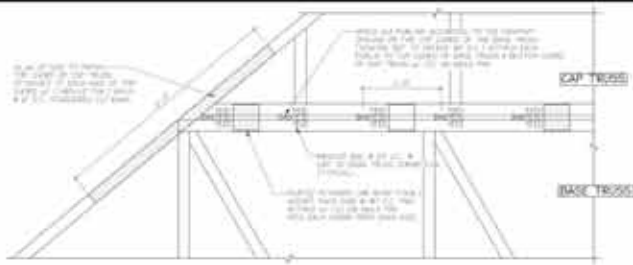
DOUBLE SHEAR TRANSFER **ALT. SHEAR TRANSFER**



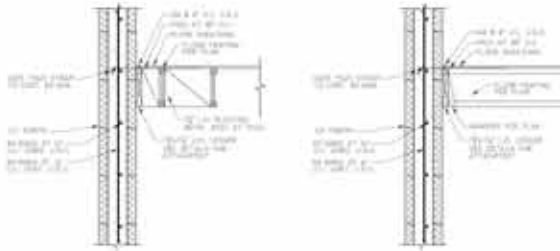
Painted River Trail Residence
2575 Painted River Trail
Washoe County
Reno, Nevada 89523

Revisions

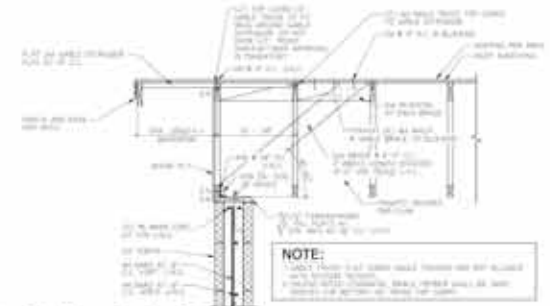
General Structural Details
Sheet
SD-3



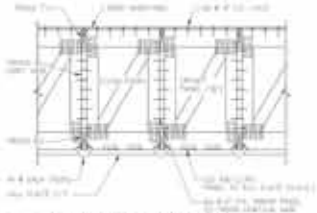
7 Cap Truss Connection Detail
Scale: 3/4" = 1'-0"



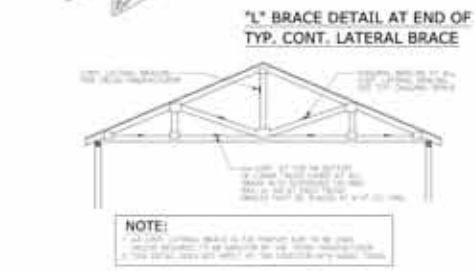
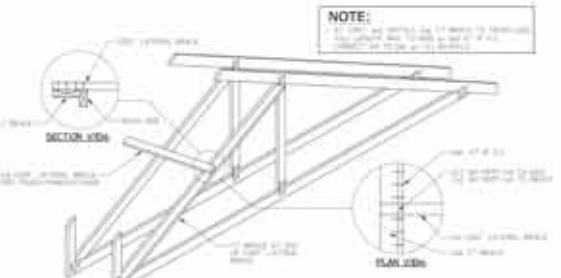
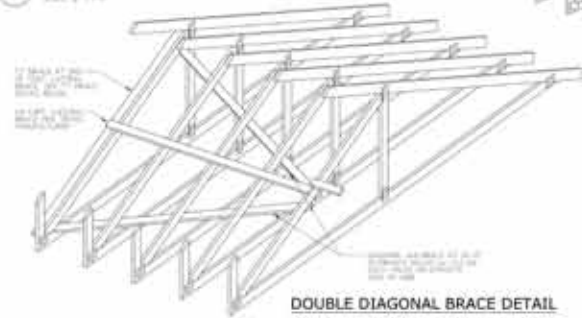
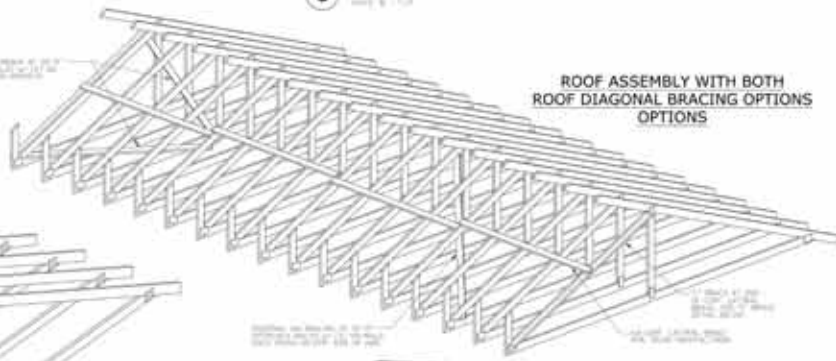
6 Typical Floor Framing I.C.F. Wall
Scale: 3/4" = 1'-0"



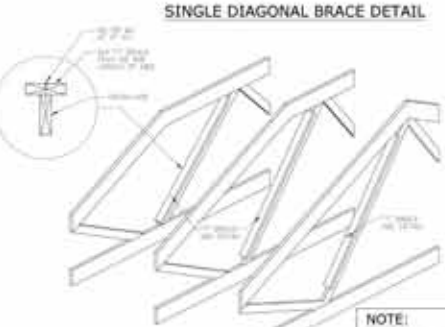
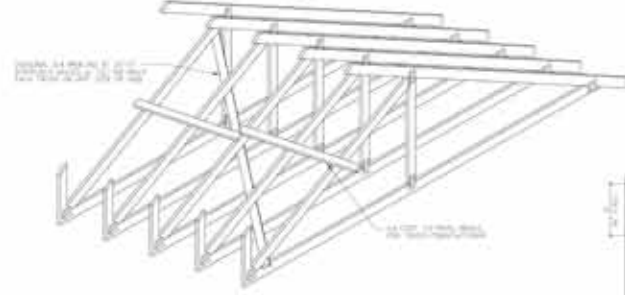
5 Gable Truss Bracing I.C.F. Wall
Scale: 3/4" = 1'-0"



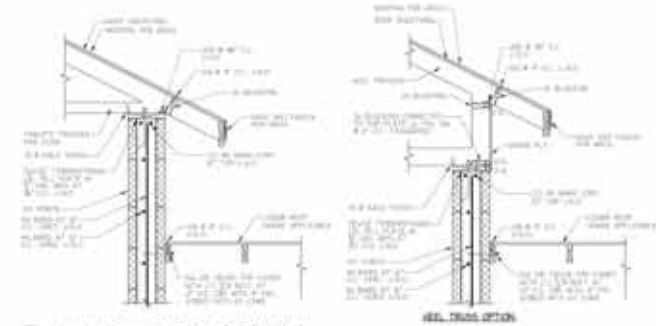
4 Shear Panel Connection
Scale: 3/4" = 1'-0"



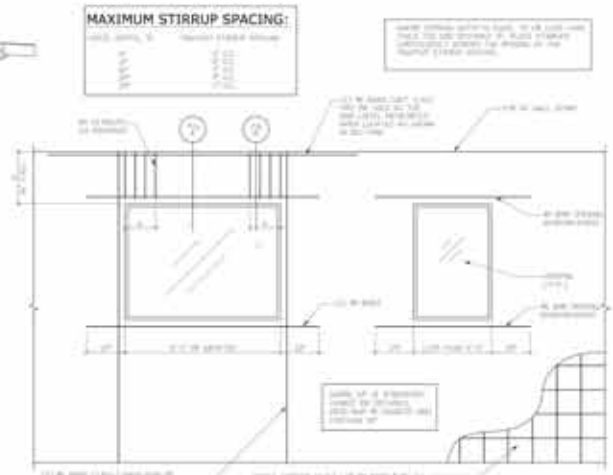
2 Truss Bracing Detail
Scale: 3/4" = 1'-0"



'T' BRACE DETAIL
NOTE: 1. ALL JOIST AND TRUSS MEMBERS SHALL BE 2x10 UNLESS OTHERWISE NOTED. 2. ALL JOIST AND TRUSS MEMBERS SHALL BE 2x10 UNLESS OTHERWISE NOTED. 3. ALL JOIST AND TRUSS MEMBERS SHALL BE 2x10 UNLESS OTHERWISE NOTED.



3 Typical Truss at Eave I.C.F. Wall
Scale: 3/4" = 1'-0"



1 I.C.F. Opening / Wall Reinforcement Detail
Scale: 3/4" = 1'-0"

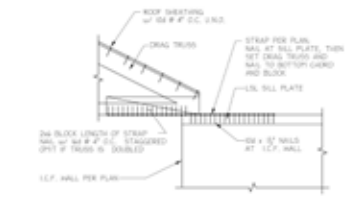
Engineering
 1885 West 10th Street
 Reno, NV 89502
 (775) 784-1111
 www.structuredesign.com

Painted River Trail Residence
 2575 Painted River Trail
 Washoe County
 Reno, Nevada 89523

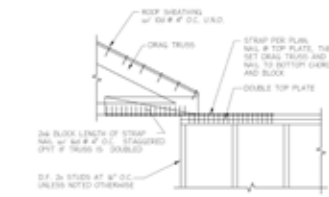
Revisions:

General Structural Details
 Drawn: TAC
 Date: 08/18/10
 Checked: TAC
 Scale: 3/4" = 1'-0"

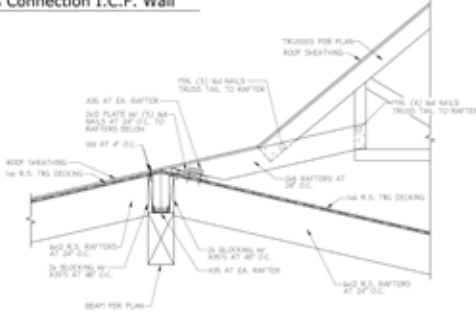
Sheet
SD-4



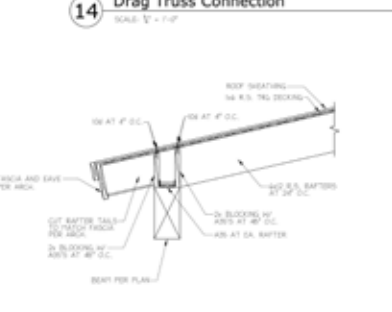
15 Drag Truss Connection I.C.F. Wall
SCALE: 1/4" = 1'-0"



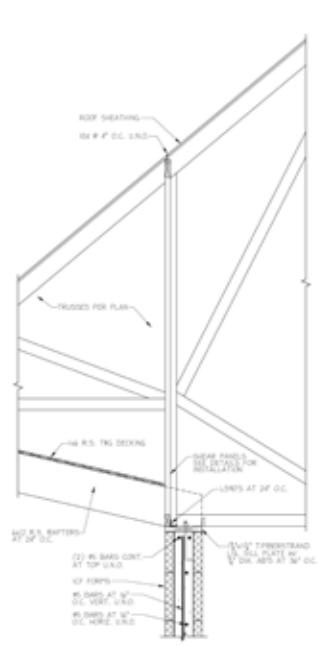
14 Drag Truss Connection
SCALE: 1/4" = 1'-0"



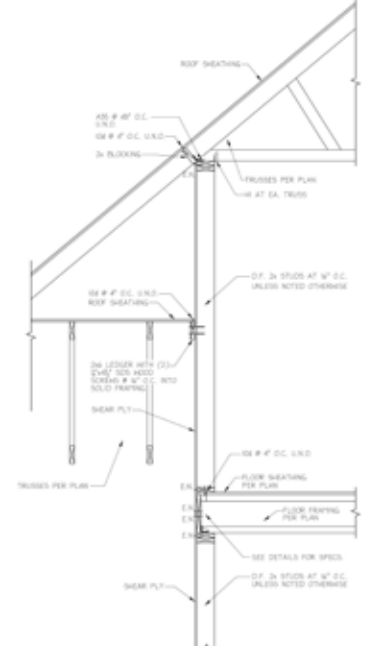
13 Patio Roof Framing Detail
SCALE: 1/4" = 1'-0"



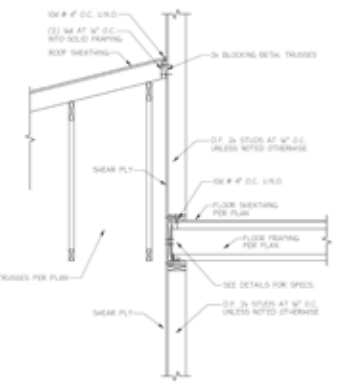
12 Patio Roof Framing Detail
SCALE: 1/4" = 1'-0"



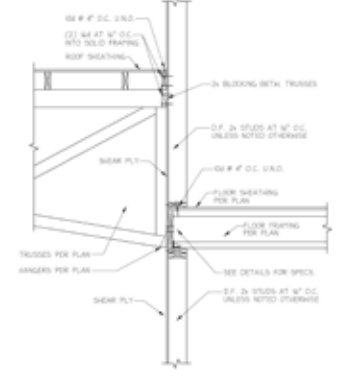
11 Gable Truss Bracing I.C.F. Wall
SCALE: 1/4" = 1'-0"



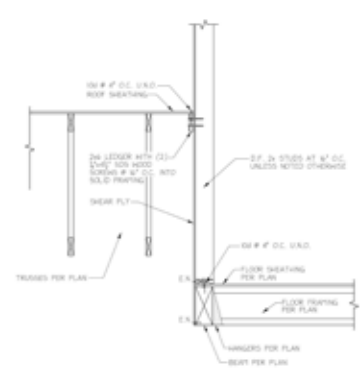
10 Floor/Roof Framing Detail
SCALE: 1/4" = 1'-0"



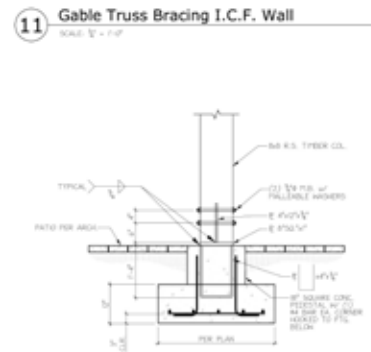
9 Floor Framing Detail
SCALE: 1/4" = 1'-0"



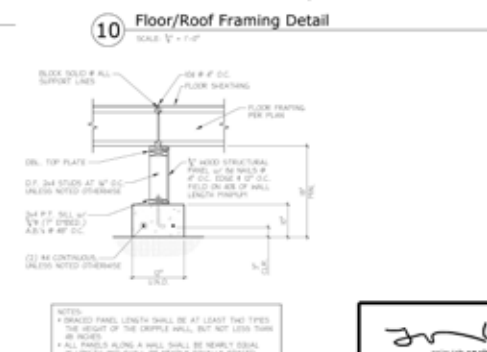
8 Floor Framing Detail
SCALE: 1/4" = 1'-0"



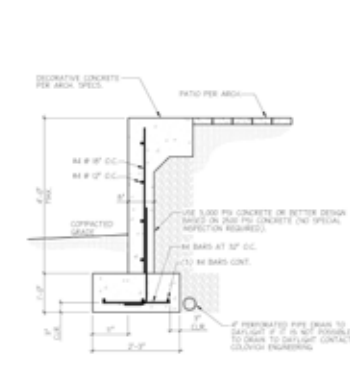
7 Floor Framing Detail
SCALE: 1/4" = 1'-0"



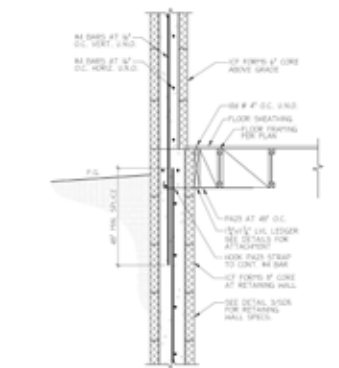
6 8x8 R.S. Post Connection
SCALE: 1/4" = 1'-0"



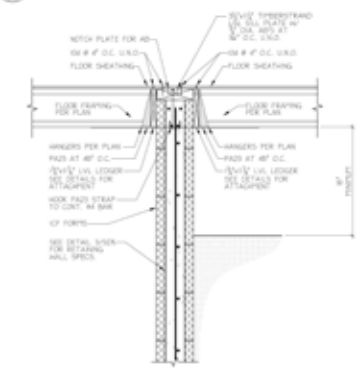
5 Ponywall Detail
SCALE: 1/4" = 1'-0"



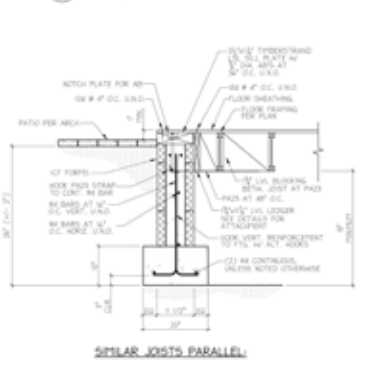
4 Retaining Wall at Patio
SCALE: 1/4" = 1'-0"



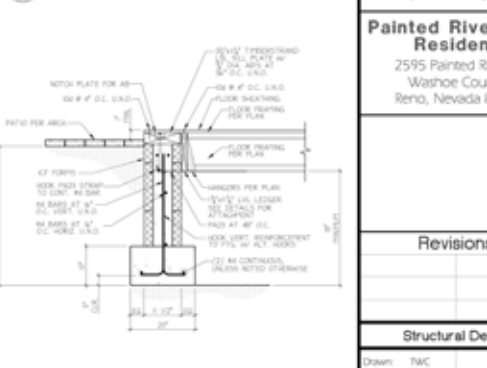
3 Retaining Wall Detail
SCALE: 1/4" = 1'-0"



2 Retaining Wall Detail
SCALE: 1/4" = 1'-0"



1 Typical Footing and Stemwall at Patio I.C.F. Wall
SCALE: 1/4" = 1'-0"



5 Ponywall Detail
SCALE: 1/4" = 1'-0"

NOTES:
 * BRACKED PANEL LENGTH SHALL BE AT LEAST TWO TIMES THE HEIGHT OF THE DRIFTLINE WALL, BUT NOT LESS THAN 48 INCHES.
 * ALL PANELS ALONG A WALL SHALL BE NEARLY EQUAL IN LENGTH AND SHALL BE NEARLY EQUALLY SPACED ALONG THE LENGTH OF THE WALL.

SD-CON
 SD-CON engineering
 1500 Swan Circle
 Reno, NV 89509
 P: 775.250.4133
 E: sporn@sdconengineering.com

Painted River Trail Residence
 2595 Painted River Trail
 Washoe County
 Reno, Nevada 89523

Revisions:

Structural Details
 Drawn: TMC
 Sheet: **SD-6**
 Date: 03/10/10
 Checked: TMC
 Job: 003_10

